

Interpretation of GNSS Receiver Specifications and Receiver Selection Guidelines

UTOKYO/ICG Workshop on GNSS for Policy and Decision Makers

Dinesh Manandhar, Associate Professor (Project)

Center for Spatial Information Science (CSIS), The University of Tokyo

dinesh@csis.u-tokyo.ac.jp

We have no intention to prefer any brand names mentioned in these slides. They are used only for reference.
There are many other products in this category from different manufacturers, please search in internet

Target Usage of the Receiver

• What is the purpose of the receiver?

- Use as a CORS (Continuous Operating Reference Station)
- Setup as a local Base-Station for RTK services
- Field Survey
 - Geodetic Survey, Control Point Survey, Mapping
- GIS, Facilities Management
- Drone / UAV
- Transport Monitoring
 - Tracking of vehicles, public transport for safety and security
 - Tracking of bicycles (Share-riding)
 - Trains
- Marine
 - Vessels
 - 100tons or more than 300 tons require AIS for VMS
 - Passenger Boats
 - Smaller Fishing Boats, Pleasure boats

• What is the purpose of the receiver?

- Agriculture
- Timing Services
- Space Weather
- Scientific Applications

We will focus our discussions on High-End GNSS Receivers
Because it costs tens of thousands of dollars and should
last for more than 10 years of continuous operation

High-End Survey Grade GNSS Receivers



We have no intention to prefer any brand names mentioned in these slides. They are used only for reference.
There are many other products in this category from different manufacturers, please search in internet

Antenna for CORS or High-Accuracy Measurement



- Antenna with Choke Ring and Dome is used for CORS
- Choke ring helps to minimize multipath effects
- Dome protects from snow cover and other dusts as well as birds, animals or insects
- A normal base-station may use antenna without choke-ring and dome



We have no intention to prefer any brand names mentioned in these slides. They are used only for reference.
There are many other products in this category from different manufacturers, please search in internet

Different Types of GNSS Antenna



Antenna for Aviation



Helical Antenna



Chip Antenna



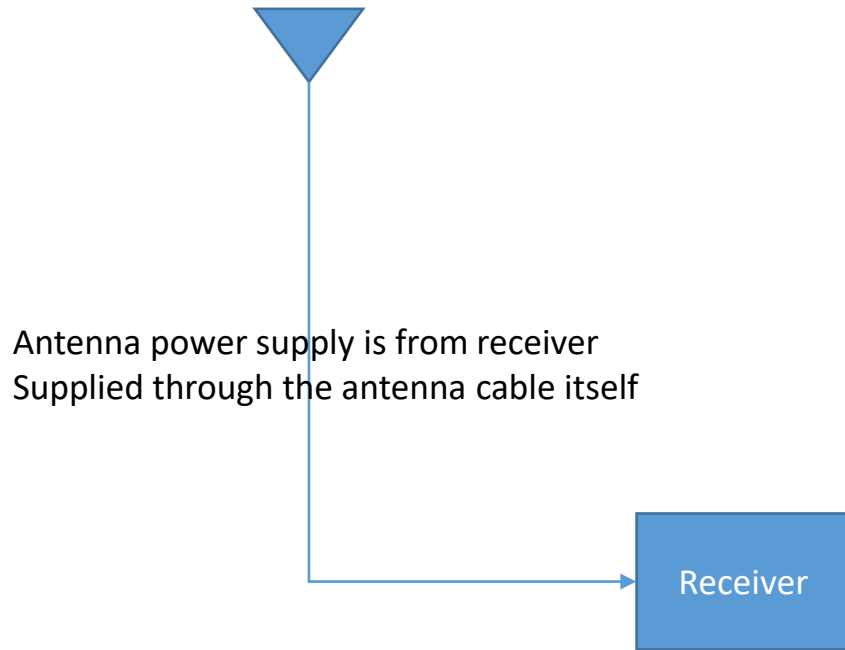
Paper Like Adhesive Antenna

We have no intention to prefer any brand names mentioned in these slides. They are used only for reference.
There are many other products in this category from different manufacturers, please search in internet

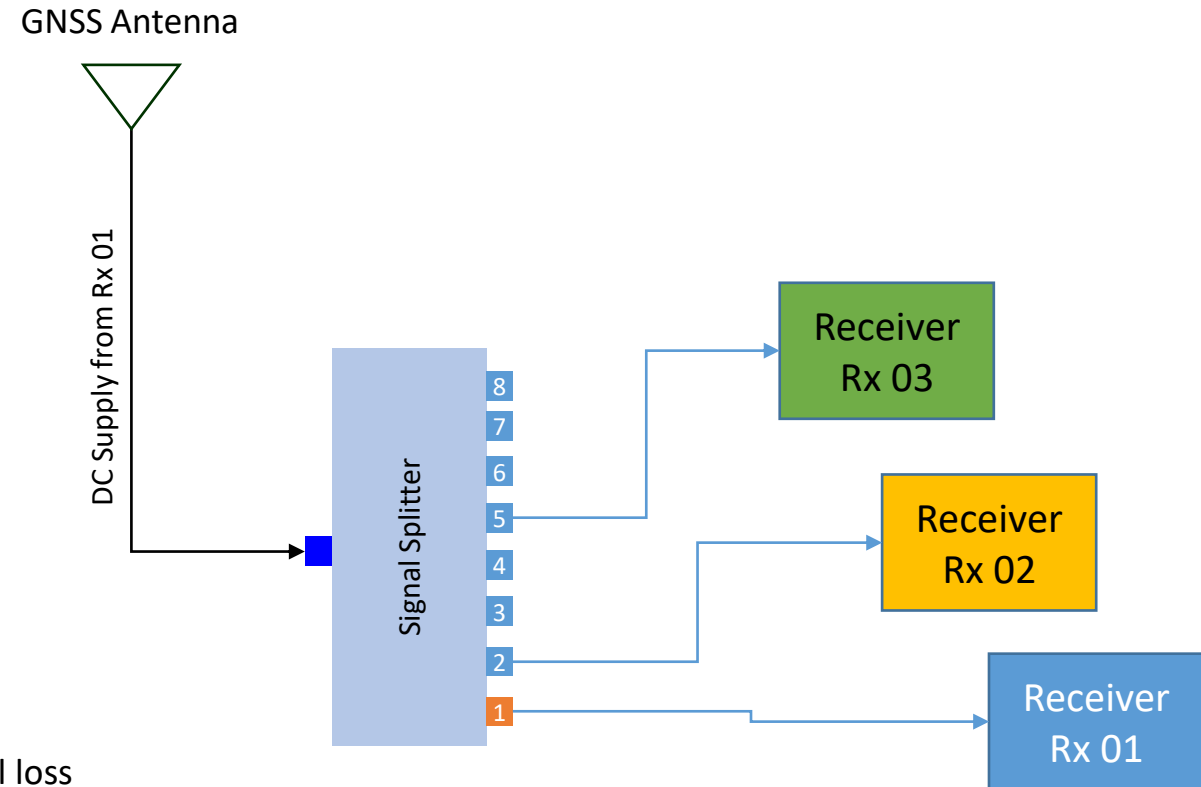
Active Antenna or Passive Antenna?

- Active Antenna
 - It has LNA (Low-Noise Amplifier) within the antenna body
 - Thus, it requires power supply
 - Input power supply will range from 3VDC to 18VDC
 - Provides high-gain, 12 – 30 dB gain
 - Antenna is normally detachable from receiver unit
 - Antenna and Receiver is connected by a coaxial cable
 - External Antenna, Antenna (Rooftop) and Receiver (in room) can be at different location.
 - Long run of cable creates signal loss
 - Additional amplifiers and filters can be attached
- Passive Antenna
 - No LNA in the antenna body. It is in the receiver circuit board.
 - No power supply is required
 - Low gain, 0 – 3dB
 - Either directly attached to receiver board or connected by a short (few cm) antenna cable
 - Normally used in single unit device with built in antenna
 - Antenna can't be separated from the receiver

Connecting an External Antenna



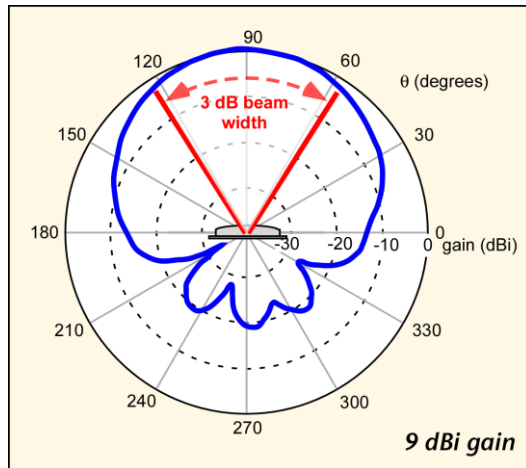
If cable length from the antenna to the receiver is too long, signal loss will be too high and it makes the signals noisy.
Check cable loss value for the cable
Make the cable length as short as possible
Use a cable with low cable loss
Use proper connectors
GNSS cable has 50Ohm impedance. Do not use 75Ohm impedance coaxial cable (normally used for TV and communication).



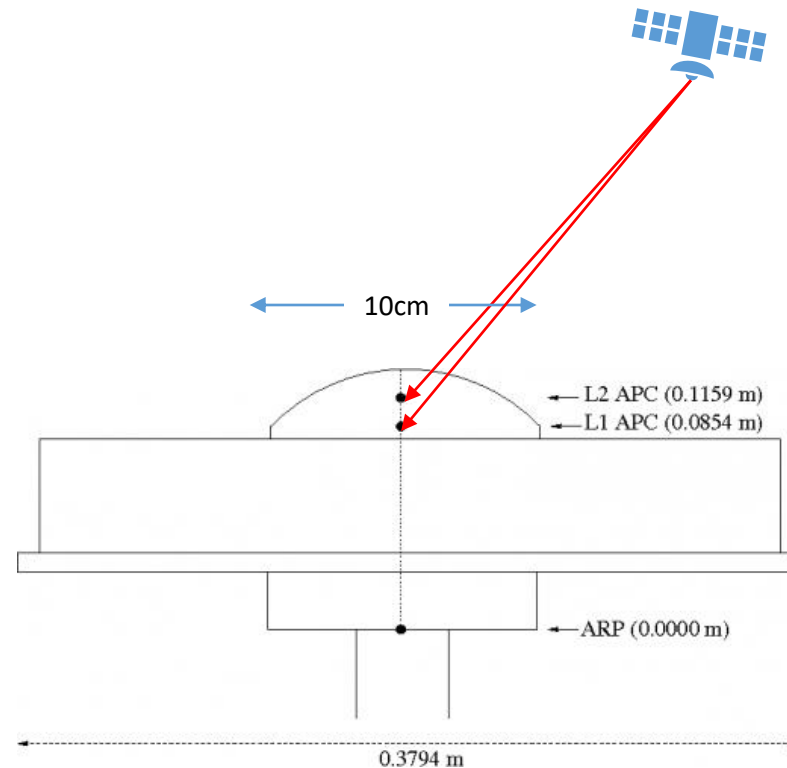
If several receivers are connected through a splitter, make sure that only one port pass DC supply and other ports block DC supply from the receiver to the antenna.
If the splitter does not block DC supply, use an external DC Block device

Antenna for CORS or High-Accuracy Measurement

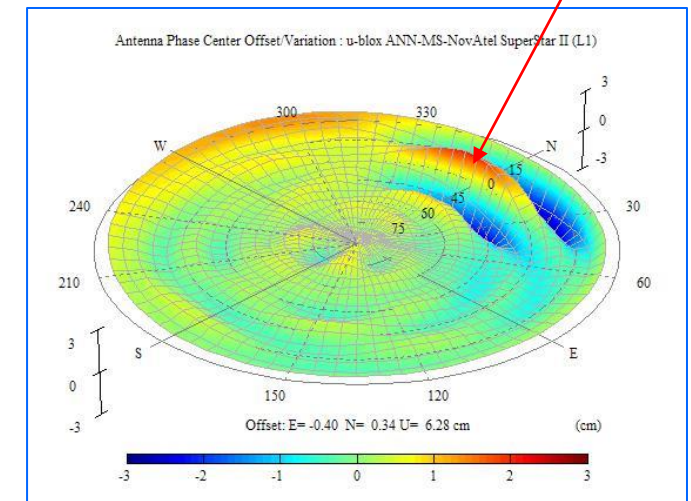
Select antenna with calibration data



Antenna Gain Pattern



Antenna Phase Center



Antenna Phase Variation

Also Refer:

<https://www.ngs.noaa.gov/ANTCAL/FAQ.xhtml>

<https://igs.org/>

- Select an antenna for CORS with technical documents such as Antenna Gain Pattern, Antenna Phase Center Offset (PCO) and Antenna Phase Center Variation (PCV) Data.
- PCO and PCV data for CORS antenna are also available at IGS website.

We have no intention to prefer any brand names mentioned in these slides. They are used only for reference.

There are many other products in this category from different manufacturers, please search in internet

Specification Parameters to be Checked

No	Specification Category	Details	Comments
1	GNSS Systems	GPS, GLONASS, GALILEO, BEIDOU, QZSS, NAVIC, SBAS	Select the satellite systems that you would like to use. Normally GPS and GLONASS are already implemented. Other systems may be available with additional cost. QZSS and NavIC are regional systems and hence may not be visible in your region.
2	GNSS Signal Capabilities	GPS: L1C/A, L1C, L2, L5 GLONASS: L1, L2, L3 QZSS: L1C/A, L1C, L2, L5, L6 Galileo: E1, E5a, E5b, E5AltBOC Beidou: B1, B2, B3 NavIC: L5, S	Depending upon GNSS Systems, select the required signals. Many makers charge separately for each additional signal. RTK and PPP requires dual-frequency signals such as L1C/A, L1P(Y), L2P(Y). It is recommended to include L1, L2 and L5 navigation signals. QZSS L6 provides CLAS and MADOCA correction signals for high-accuracy. CLAS can be used only in Japan. Since QZSS is regional system, it may not be visible in your area.
3	Signal Processing Capability for High-Accuracy	RTK, PPP L-Band Correction, CLAS, MADOCA	All receivers designed for CORS provide RTK, PPP and many other signal processing technologies required for high-accuracy positioning. L-Band correction, CLAS and MADOCA are satellite and service provider specific.
4	Performance and Accuracy	SPS, DGPS, RTK, PPP Accuracy	Check the accuracy values the receiver can provide for each type of signal processing method. Also notice the conditions and affecting factors if given in the document with footnotes. Accuracy for RTK or differential observation are mentioned as XX cm + YY ppm. XX cm error is fixed error and YY error varies depending upon base-length (distance between base-station and field receiver (rover unit)). If YY = 1ppm, then every 10Km of base-length will have 1cm of error. If XX is 2cm, the total error is 2 + 1 = 3 cm for a base-length of 10Km.
5	Physical Data	Size, Weight, Shock, Vibration	If the receiver has to be used in machines such as tractors, excavators, heavy machines, construction machines etc. make sure that the receiver performance well under severe shock and vibration conditions.

Specification Parameters to be Checked

No	Specification Category	Details	Comments
6	Electrical Data	Power consumption, Internal Battery, External Power Supply System	CORS are sometime installed in remote locations where continuous electrical power may not be available or where power outages are very common. In such locations, its better to have a receiver with internal battery. An external power source from Solar panel or battery system is required. Make sure that the receiver also has input port for battery power supply (12volt DC or similar).
7	Environment	Operating Temperature, Humidity, Dust, IP Rating,	<p>Operating temperature is very important since CORS receivers are installed in various locations, sometimes outdoors (with simple enclosure) where temperature can't be controlled. Depending upon location, day and night temperature may vary more than 20 degrees. Temperature variation may be as large as 50 degrees Celsius between summer and winter in some locations. Thus, the receiver must perform well even in this large variation of temperature. Though, outside air temperature varies a lot, the receiver temperature may not vary at the same level due to electrical circuits in the receiver.</p> <p>At least a receiver that performs from -20 to +60 deg. Celcius is required and should provide the performance accuracies mentioned in the technical specifications. However, internal battery performance degrades when the temperature goes down to -10C or lower.</p> <p>If your region has severe variation in temperature in winter and summer, -40 to >+60 deg. C is recommended.</p> <p>An IP rating of 67 is recommended to protect from dust and water.</p>
8	Connectivity	Serial, USB, Ethernet, WiFi, BT, NTRIP, Radio Link	<p>Different types of interface (I/O ports) are available. An USB port will be quite easy to setup the receiver. An Ethernet port is required to connect the receiver to internet for remote access and logging etc. WiFi and BT (BlueTooth) are optional.</p> <p>NTRIP Caster and Server is strongly recommended for CORS receiver for remote data access via NTRIP.</p>

Specification Parameters to be Checked

No	Specification Category	Details	Comments
9	Data Storage	Internal Memory, External Storage Memory	An internal memory is strongly recommended. Select memory size that can accommodate for one month of raw observation data. Better to have also a connection port to an external memory device (USB Drive or Hard Disk).
10	Data Output Format	NMEA, RTCM., RINEX, BINEX, NAV Data, Proprietary	Normally high-end receivers provide all these output data formats. Need to confirm version for each data output format.
11	Clock Output	1PPS, 10MHz Clock Input / Output	1PPS output is required to feed timing signal to other devices for clock synchronization. Some, receivers also provide 10Mhz clock I/O.
12	Other Special Features	Multipath Rejection, Interference protection, Anti-Jamming, Spectrum, Ionosphere Mitigation, RAIM, A-RAIM	Some makers provide various types of proprietary technologies for multipath mitigation, interference mitigation, anti-jamming, IF data spectrum viewing, RAIM, A-RAIM etc.
13	Maintenance	Remote Logging, FW Upgrade,	Make sure that remote maintenance such as FW Update etc. can be done. This saves lots of time, efforts and money when receivers are installed in remote areas. But, all the receivers may not have this feature. Or it may require additional external systems.

Receiver and Antenna Test Setup

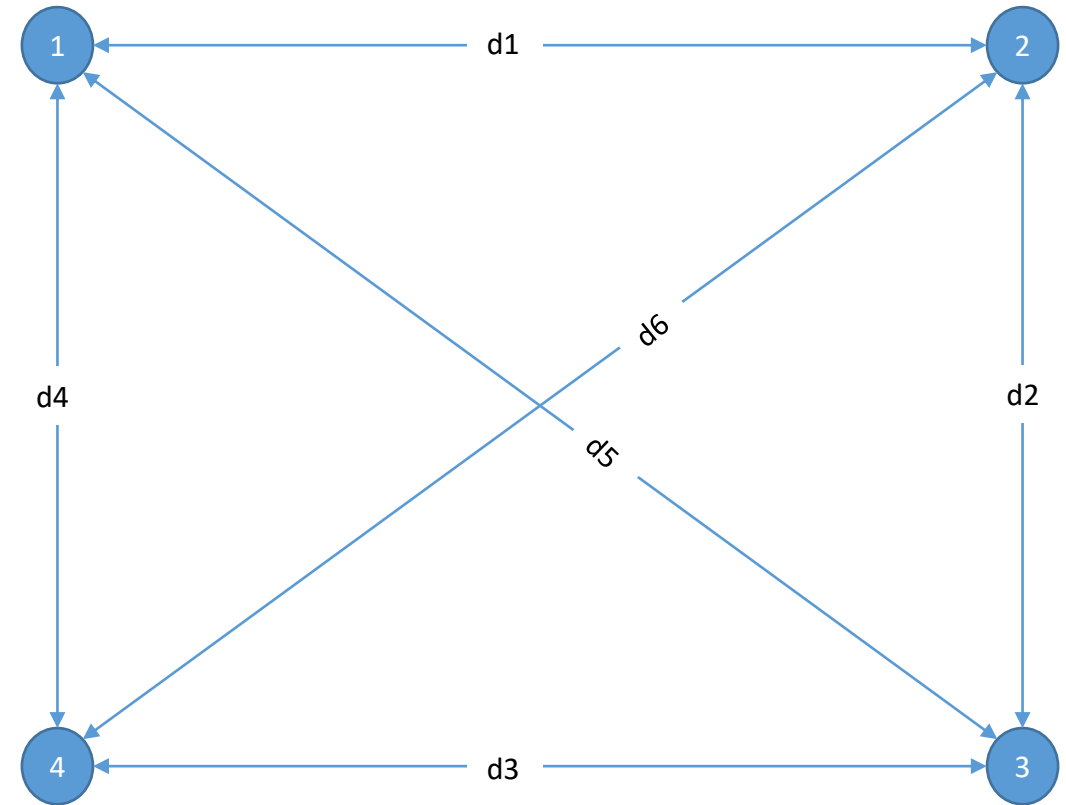
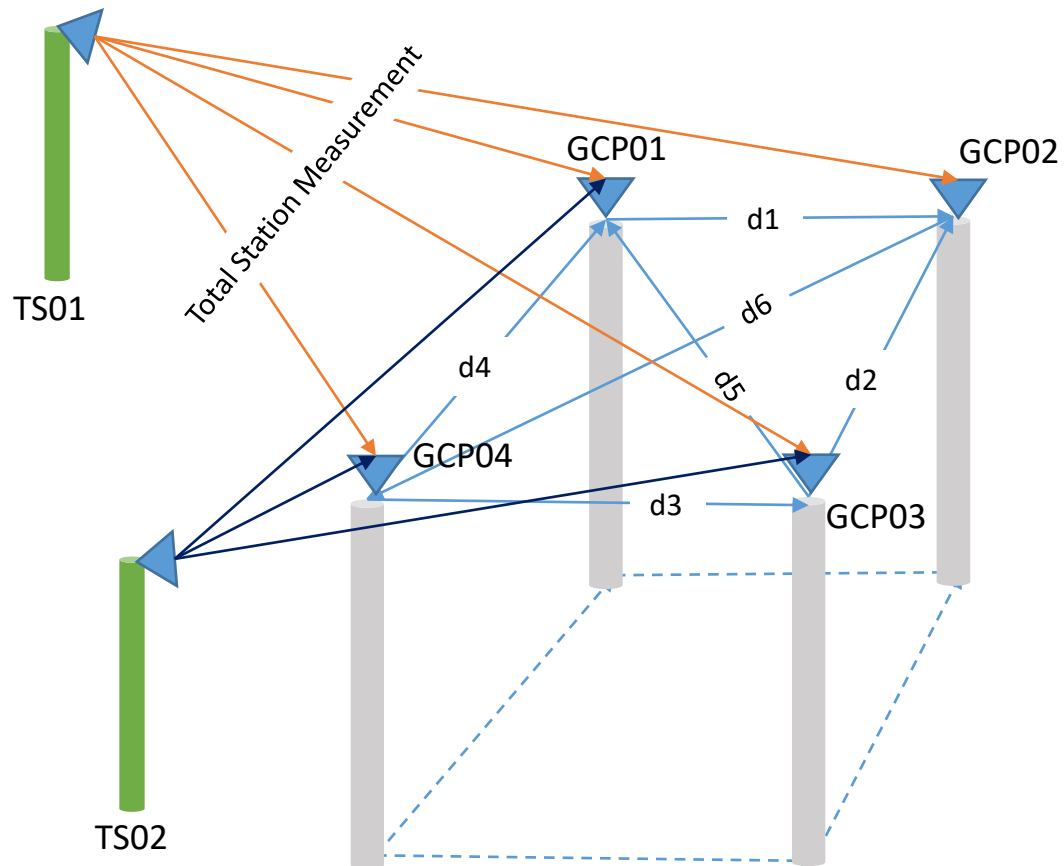
- Setup a test area with four pillars
- Measure the pillar reference points by Total-Station with mm-level accuracy
- Log GNSS data by setting antenna on top of the pillar
- Compute position of the pillar reference points using GNSS observation data
- Compute position difference between GNSS and True value for each point
- Also, compute all distance d_1 , d_2 , d_3 , d_4 , d_5 and d_6 as well as height of pillar h_1 , h_2 , h_3 and h_4
- By using these pillar control points, various types of receivers and antenna performance can be analyzed
- Make sure that the pillars are set in an open area

Receiver and Antenna Test Setup

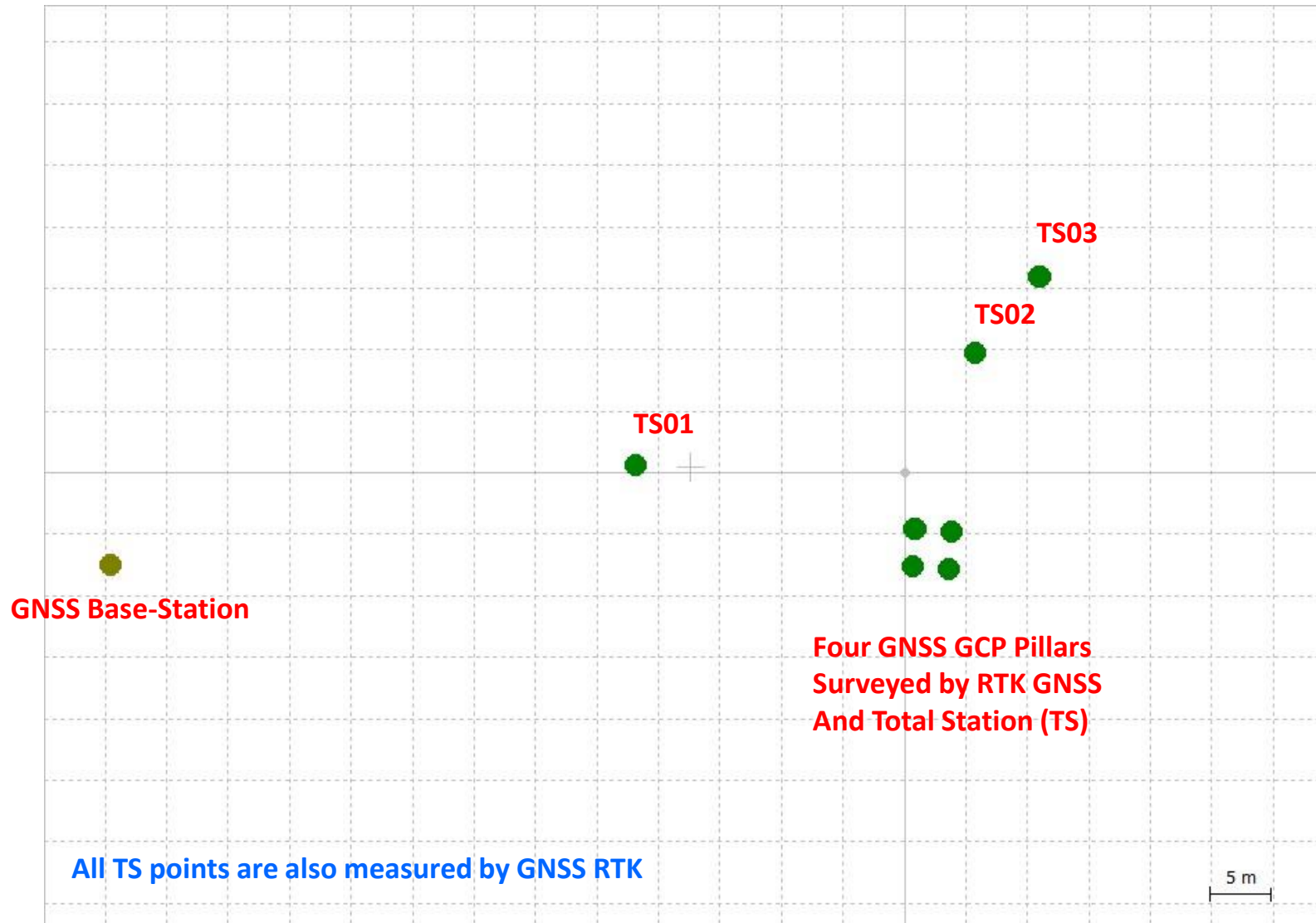
GNSS Base-Station and Control Point Pillars



Receiver and Antenna Test Setup



Receiver and Antenna Test Setup



Exercise

- Download Technical Specification Documents from GNSS Makers for High-End Survey Grade Receivers
 - Such as Trimble, Septentrio, Novatel, Topcon etc.

- Download Technical Specification Document from GNSS Makers for Low-Cost Receivers
 - Such as u-blox, Septentrio MOSAIC etc.

- Compare the technical specifications using Excel file [TechSpec_SampleSheet_R1.xls]